

DK - VARENR.
UK - ITEM NO.

44800

DK - Montreal åben til front

decoflame® Montreal Denver F6 720 - Glas monteret på pejseindsats Pejs
(LxHxD) 800x400x300mm, Sort
Hulmål inkl. finish* (LxHxD) "810x410x308mm"
Aluminium brænderør 500mm
Kontrol panel, Fjernbetjening, Bluetooth / App & 6 flammetrin
Glas, front (02271) 764x110x10mm

UK - Montreal Open to front

decoflame® Montreal Denver F6 720 - Glass mounted on fireplace casing
Fireplace casing (LxHxD) 800x400x300mm, Black
Wall cutout incl. finish* (LxHxD) "810x410x308mm"
Aluminium flame tray 500mm
Control panel, Remote control, Bluetooth / App & 6 flame steps
Glass, front (02271) 764x110x10mm

Dimensions in millimeters Page 1 / 6

decoflame
DecoFlame ApS
Vang Mark 2
9380 Vestbjerg
Tlf.: +45 9630 4800
decoflame.com

Copyright of DecoFlame ApS Denmark, whose property this document remains. No part thereof may be disclosed, copied, duplicated or in any other way made use of, except with the approval of DecoFlame ApS DecoFlame Denmark.

BLUETOOTH CODE:

REKV. NO. :

DELIVERY FROM WEEK:

PEJSEHUL / FIREPLACEHOLE

Pejsehullet skal være konstrueret i brandhæmmende materiale i forhold til DS/EN 13501-2. Biopejsvæggen skal være med en BS-konstruktion. Materialet skal overholde minimum A2-s1, d0.

Pejsehullet skal være hermetisk lukket i både top og sider, således at der ikke opstår falsk gennemtræk.

Dette gælder også ledningsudtaget, hvor der enten fuges omkring ledningen eller tillukkes med brandhæmmende skum.

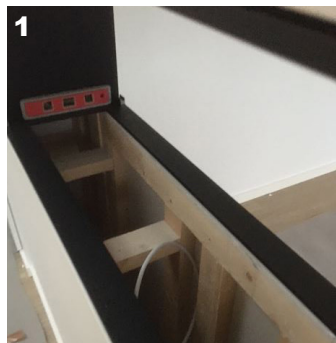
Decoflame anbefaler, at man **IKKE** fuger omkring pejsens casing. Den 5mm skyggekant sikrer, at pejsen både kan ventilere og isolere, således en varmevandring i væggen minimeres. Derudover kan fugen på sigt risikere at krakelere og/eller misfarves.

The fireplace hole must be constructed in a non-flammable material with regard to DS / EN 13501-2. The biofireplace wall must have a BS construction. Here, the material must meet the minimum A2-s1, d0, e.g. concrete or plaster.

The fireplace hole must be **hermetically sealed** in both top and sides, so that false drafts cannot occur. This also applies to the cable outlet, where it is either grouted around the cable or closed with non-flammable foam.

Decoflame recommends that you do NOT joint around the casing of the fireplace. The 5mm shade edge ensures that the fireplace can both ventilate and insulate, so that heat migration in the wall is minimized. In addition, there is a risk that the joint will crack and / or discolor during time.

IKKE GODKENDT / NOT APPROVED (1-4)



1 Hullet til brænderen er beklædt med træ / The hole for the burner is lined with wood.



2 For stort et hul omkring ledningshullet, skulle have været fuget / Too much space around the wiring hole, must be grouted.



3 Pejsevæggen er ikke sikret mod falsk træk i siderne / The fireplace wall is not secured against false draft in the sides.



4 Væggen er ikke hermetisk lukket for nederen, der kan komme træk / The wall is not hermetically sealed at the bottom, which can cause drafts.

GODKENDT / APPROVED (5-8)



5 Pejsevæg lukket i top og sider / The fireplace wall closed at the top and sides.



6 Strømsik 3-benet (Jord) / Power plug 3-pin (Ground).

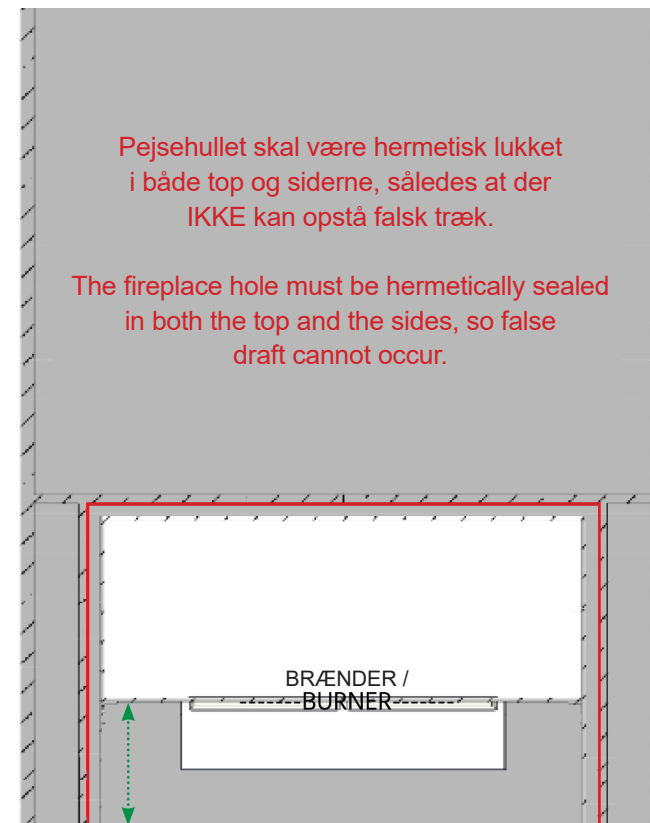


7 Alle krydsmaal skal være i vinkel / All cross-measures must be at an angle.



8 De 2 vægge skal være i vatter / The 2 wall must be in level.

VIGTIGT / IMPORTANT



Hulmuren nedadtil (til gulv) må max. være 1000mm i dyben - minimum 400mm.

The cavity wall downwards (to the floor) must max. be 1000mm in depth - minimum 400mm.

Dimensioner i mm. / Dimensions in mm. 2/6

decoflame

Decoflame ApS
Vang Mark 2
9380 Vestbjerg
Tlf.: +45 9630 4800
decoflame.com

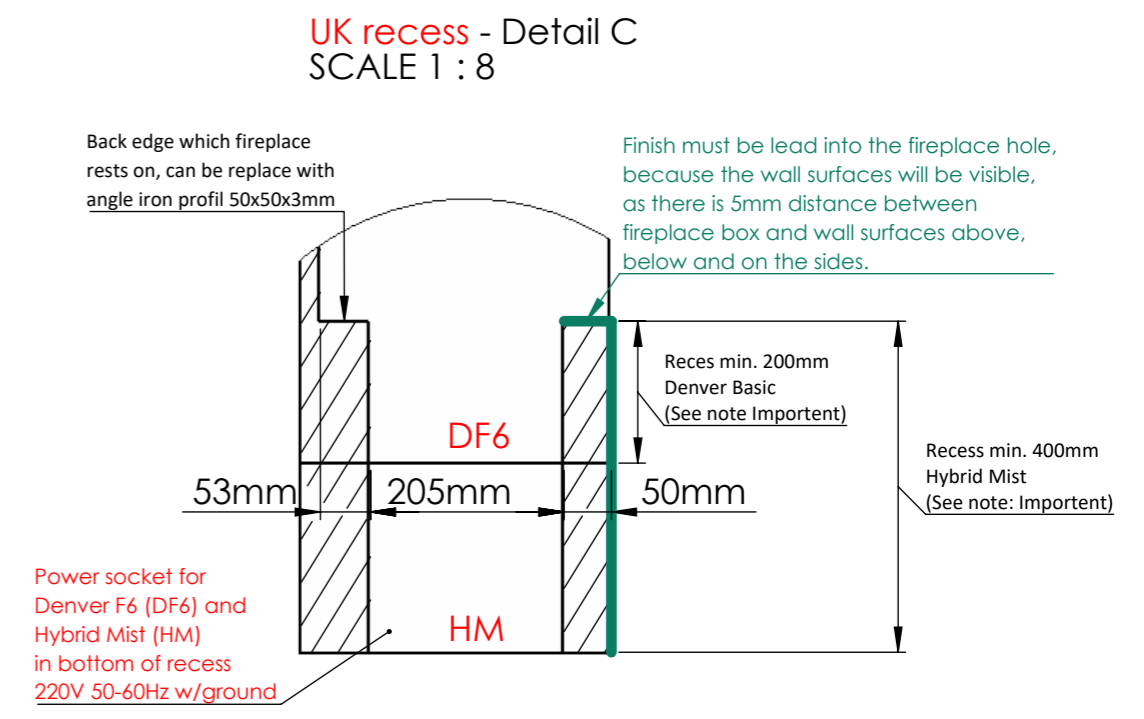
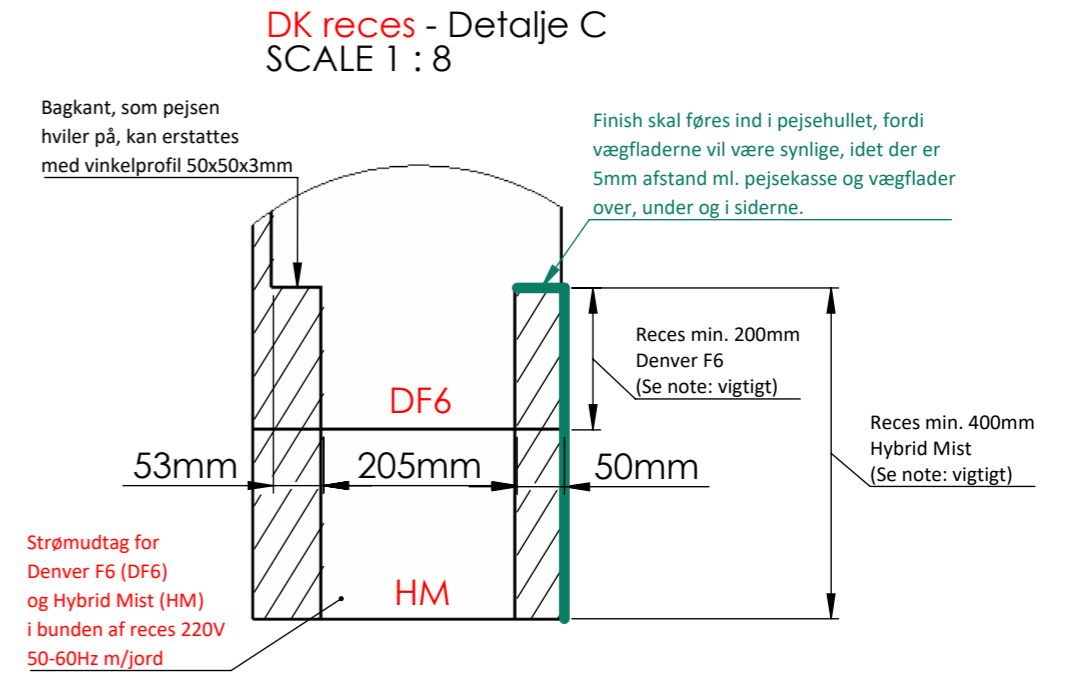
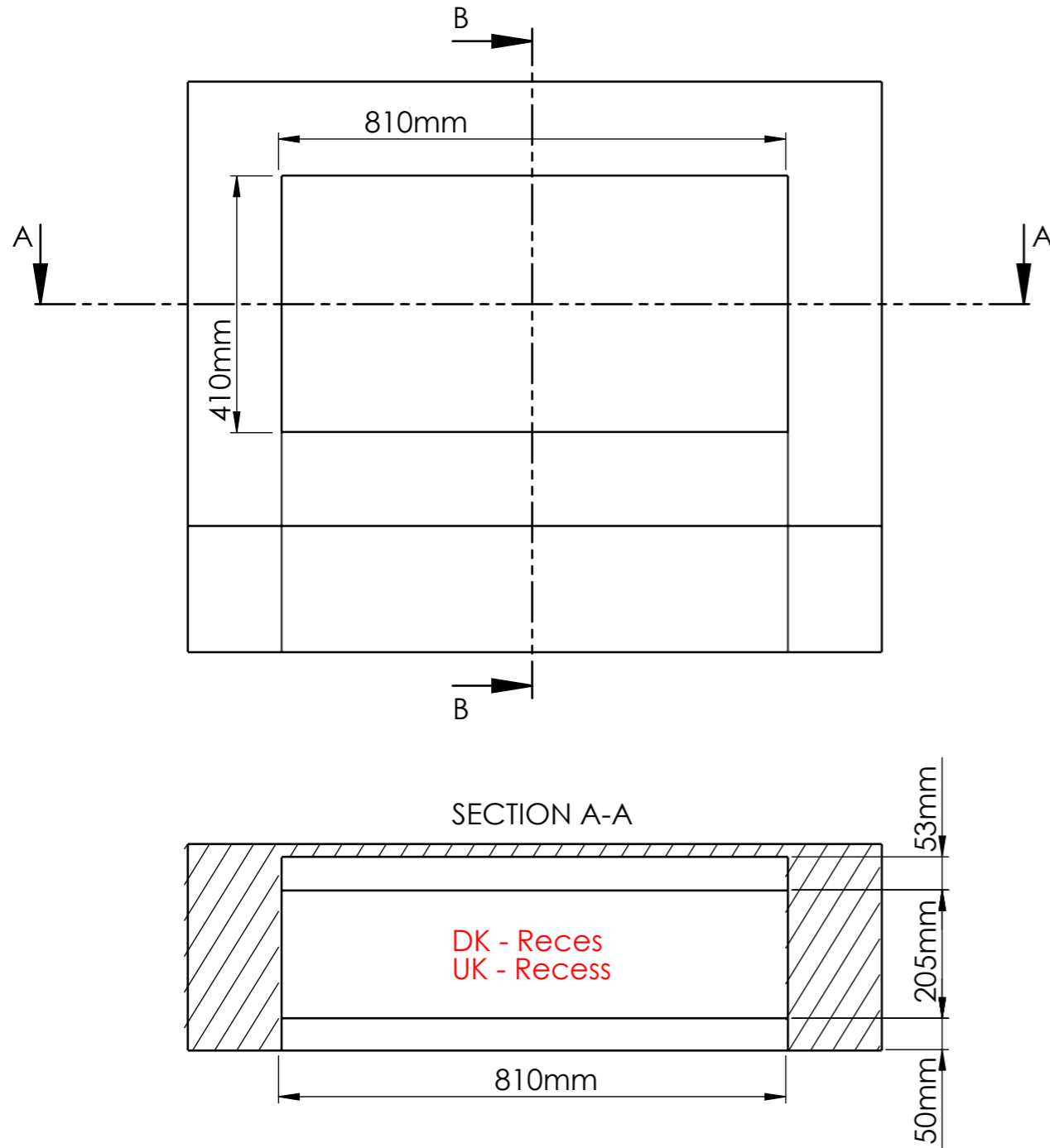
Copyright of Decoflame ApS Denmark, whose property this document remains. No part thereof may be disclosed, copied, duplicated or in any other way made use of, except with the approval of Decoflame ApS Decoflame Denmark.

**DK - Færdige hulmål
(LxHxD) 810x410x308mm inkl. finish***

**UK - Finished wall cutout
(LxHxD) 810x410x308mm incl. finish***

Finish*: Væv, spartel, maling etc.

Finish*: Tissue, filler, painting etc.



DK - VARENR.
UK - ITEM NO.

44800

DK - Vigtigt

- Vi anbefaler at lave reces/udsparring i væg ned til gulvet = Fremtidssikret til alle Decoflake pejse.
- Hulsten må ikke bruges som øverste skift.

UK - Important

- We recommend to make the wall recess down to the floor. = future-proofed for all Decoflake fireplaces
- The hollow stone must not be use as upper shift.

Dimensions in millimeters Page 3 / 6

decoflake
Decoflake ApS
Vang Mark 2
9380 Vestbjerg
Tlf: +45 9630 4800
decoflake.com

Copyright of Decoflake ApS Denmark, whose property this document remains. No part thereof may be disclosed, copied, duplicated or in any other way made use of, except with the approval of Decoflake ApS Decoflake Denmark.

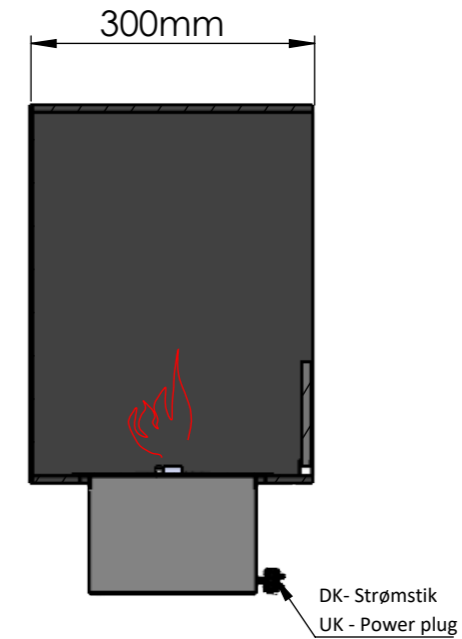
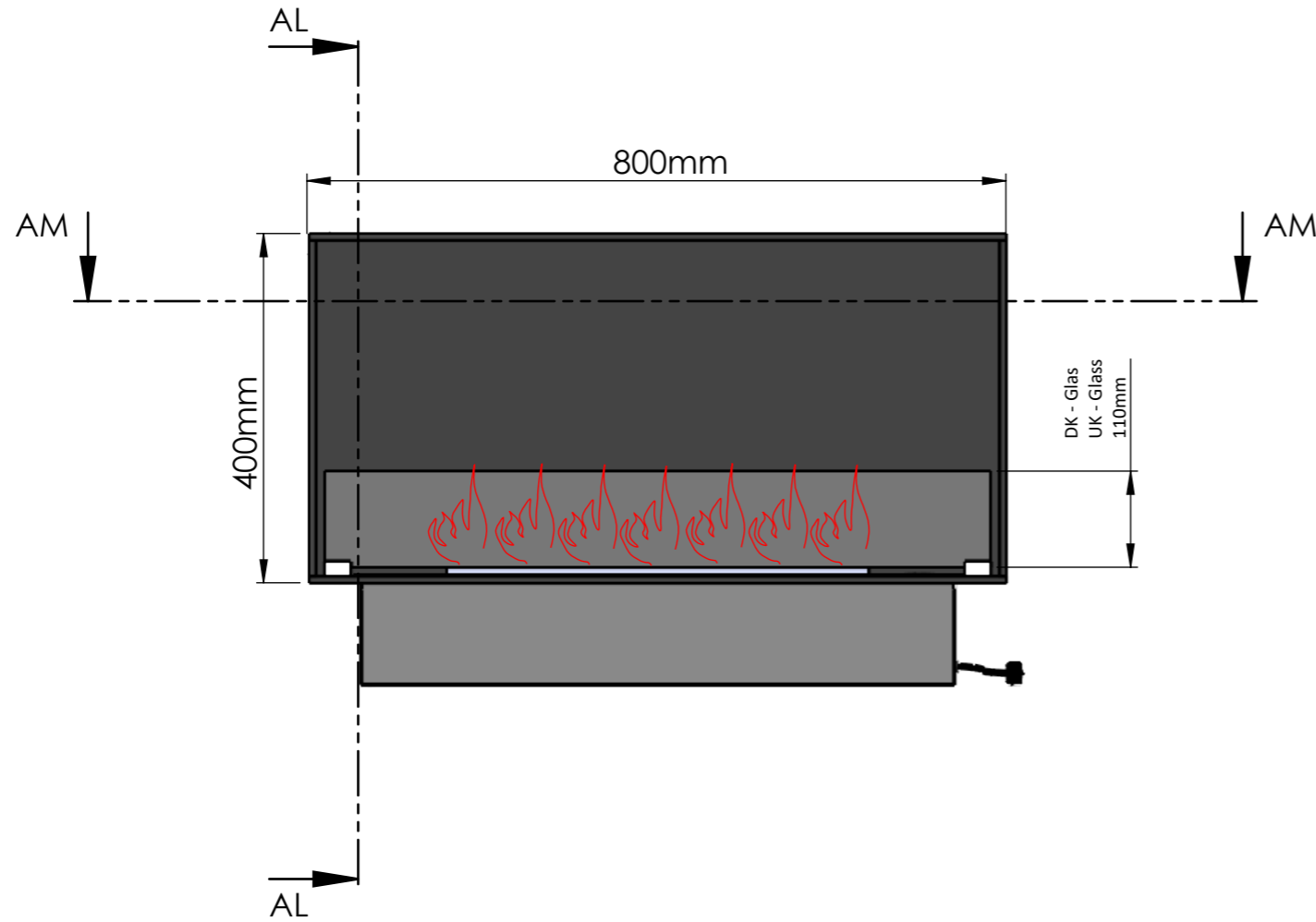
BLUETOOTH CODE:

REKV. NO. :

DELIVERY FROM WEEK:

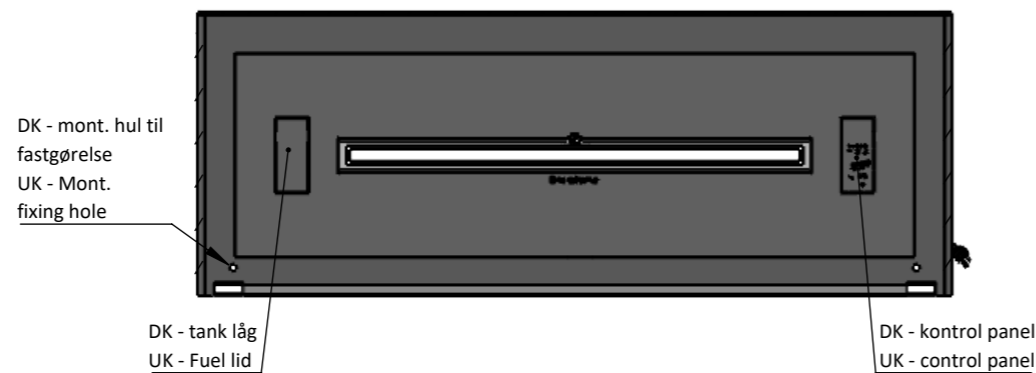
DK - Pejs
(LxHxD) 800x400x300mm

UK - Fireplace
(LxHxD) 800x400x300mm



SECTION AL-AL
 SCALE 1 : 8

SECTION AM-AM
 SCALE 1 : 8



DK - VARENR.
 UK - ITEM NO.

44800

DK - OBS. Glas

Der tages forbehold for glastolerancer både i længde og højde på $\pm 2,5$ mm og i tykkelse på $\pm 0,3$ mm i henhold til DS/EN 12150

UK - ATTENTION Glass

Reservations are made for glass tolerances both in length and height of ± 2.5 mm and in thickness of ± 0.3 mm according to DS/EN 12150.

Dimensions in millimeters Page 4 / 6

 Decoflame ApS
 Vang Mark 2
 9380 Vestbjerg
 Tlf.: +45 9630 4800
 decoflame.com

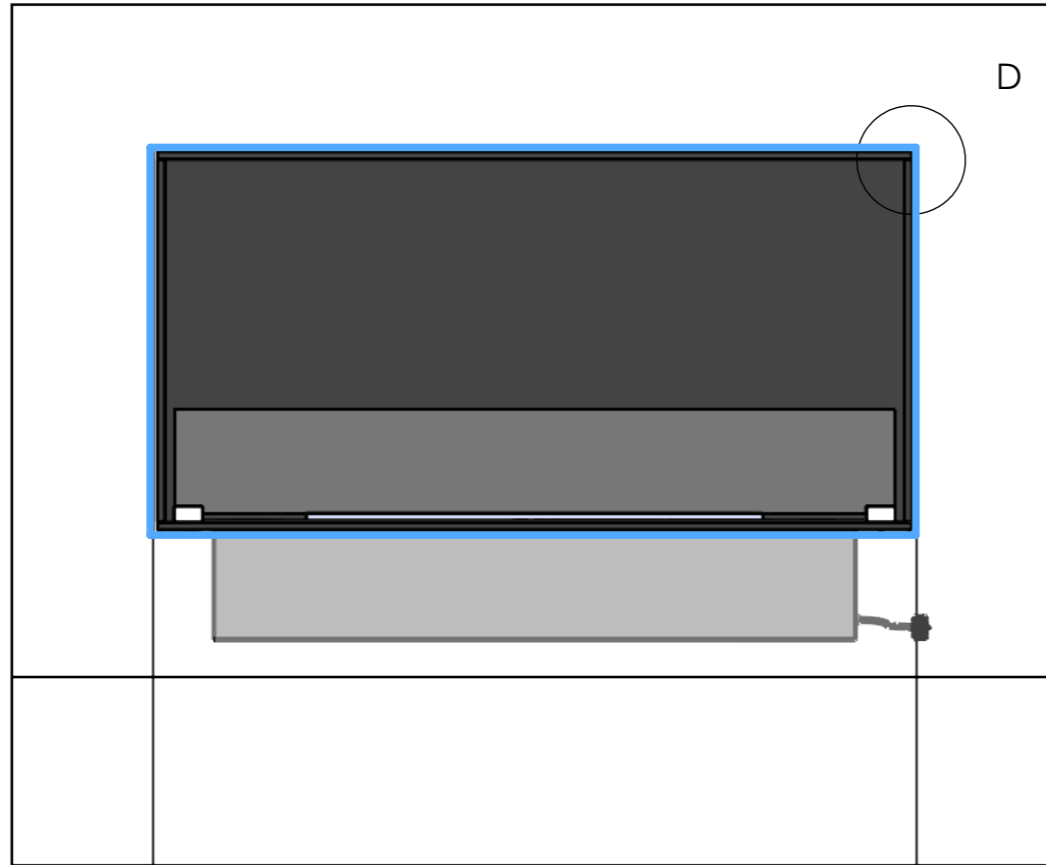
Copyright of Decoflame ApS Denmark, whose property this document remains. No part thereof may be disclosed, copied, duplicated or in any other way made use of, except with the approval of Decoflame ApS Decoflame Denmark.

BLUETOOTH CODE:

REKV. NO. :

DELIVERY FROM WEEK:

DK: Ventilation
UK: Ventilation

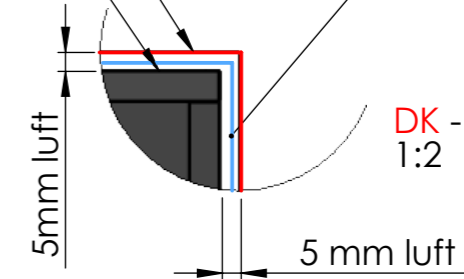


DK - Pejs inkl. væg

Hulmål 810x410x308mm
(væg tilføjet)

Pejs 800x400x300mm

For at køle pejsen og sikre tilstrækkeligt ventilation må dette hulrum rundt om pejsen **IKKE** forsegles el. fuges



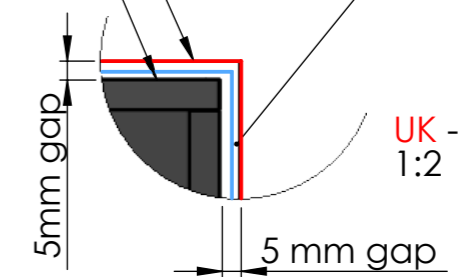
DK - View D
1:2

UK - Fireplace incl. wall

Cut-out 810x410x308mm
(Wall added)

Fireplace
800x400x300mm

To cool down the fireplace and secure enough ventilation, the cavity around the fireplace must **not** be sealed.



UK - View D
1:2

DK - VARENR.
UK - ITEM NO.

44800

DK eksempler på pejse

**Hullet omkring pejsen
må ikke forsegles el. fuges**

UK exsamples of fireplaces

Do not seal the gap

Dimensions in millimeters Page 5 / 6

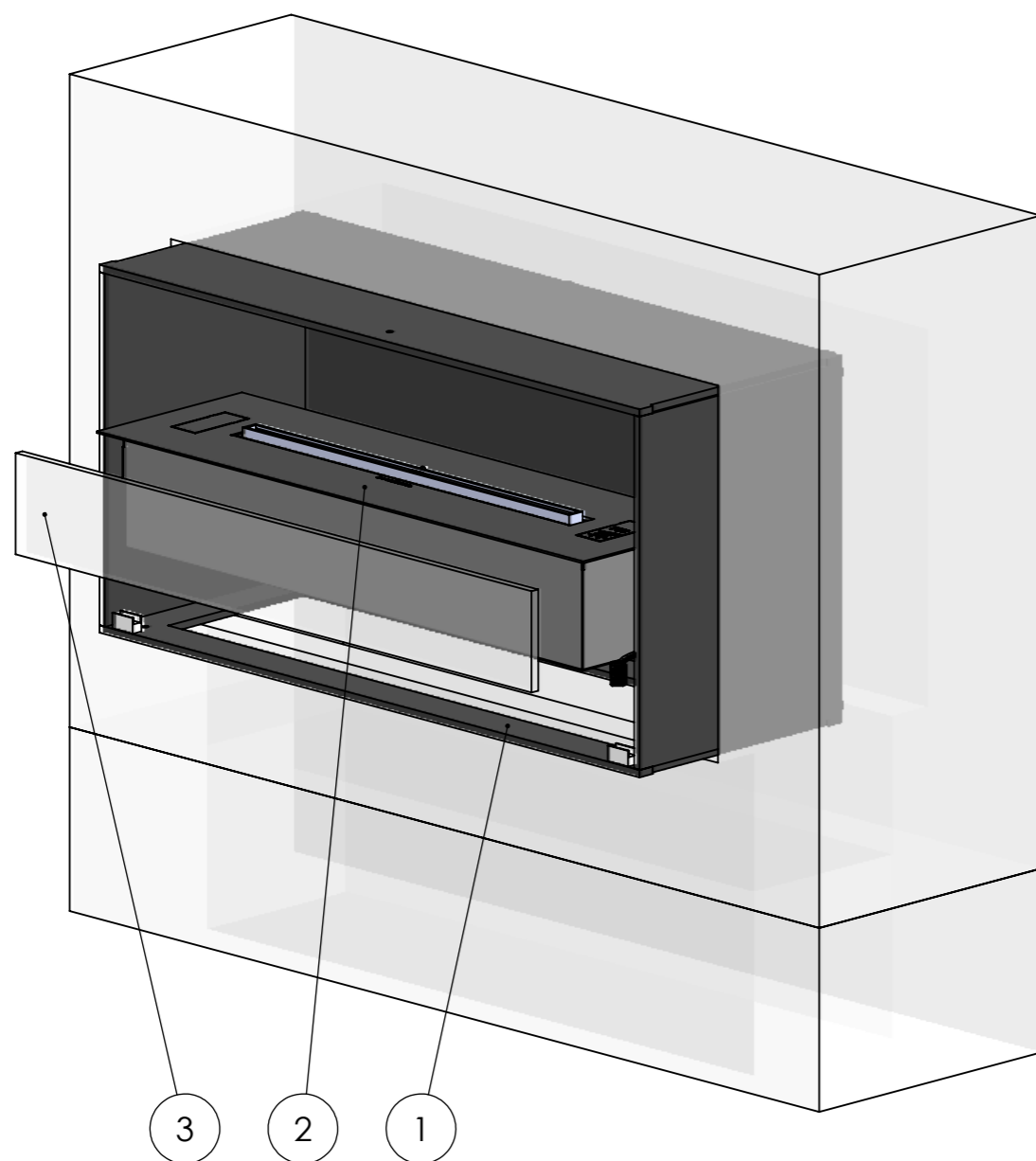
decoflame
Decoflame ApS
Vang Mark 2
9380 Vestbjerg
Tlf.: +45 9630 4800
decoflame.com

Copyright of Decoflame ApS Denmark, whose property this document remains. No part thereof may be disclosed, copied, duplicated or in any other way made use of, except with the approval of Decoflame ApS Decoflame Denmark.

BLUETOOTH CODE:

REKV. NO. :

DELIVERY FROM WEEK:



DK - Generelle vejledninger for “decoflame® biopejse lavet efter mål:

Der er luft imellem vægflader og pejseflader. Dette er for at sikre tilstrækkeligt luftstrøm og køling af pejsen. Derudover er det vigtigt at opretholde 5mm luft rundt om pejsenindsatsen. Fordelene er følgende:

- Nedsat varmevanding i væggen.
- Korrekt nedkøling, ventilation og isolering af pejsen.
- Forøget levetid på pejsen, grundet mindre risiko for overophedning.
- Pænere finish end ved fugning grundet varmepåvirkning (krakelering og misfarvning af fuger).
- Optimale og rolige flammer.

Hulmur (udskæring) = pejsen dimensioner + 10mm. Denne åbning må ikke forsegles el. fuges.

Da hjørnerne af hulumuren forbliver synlige, er det vigtigt, at finishen er retvinklet og skarpkantet (af højeste kvalitet). Alle 4 hjørner skal være præcist 90°.

Vægge

Overflader inde i hulmur skal udføres i **ikke** brændbart materiale.

Sten /mursten

Hulmur (udskæring) laves iht. medfølgende tegning: 44814, 44815, 44816 og 44817.

Vigtigt

Hulrum for pejsen skal være hermetisk lukket, således der ikke dannes falsk luft eller cirkulation, da det vil forringe ildens flow og pejsens levetid.

DK - Eksploderet view viser installationsproces.

1. Pejstens indsats skal placeres og centrereres i hulmur. Brug egnet plugs og skruer afhængig af vægtypen.
2. Pejsen tilsluttes via stikkontakt (220V 50-60Hz m/jord) og nedsænkes forsigtigt i reces.
3. Slutteligt monteres glassene i glasholderne.

UK - General Guidelines for “decoflame® made-to-measure fireplaces”:

There is air between surfaces of the wall and fireplace. This to ensure sufficient air flow and cooling of the fireplace. Furthermore, it is essential to maintain a 5mm gap around the fireplace. The advantages are the following:

- Reduced heat transfer in the wall.
- Correct cooling, ventilation and insulation of the fireplace.
- Increased lifespan of the fireplace, due to less risk of overheating.
- Nicer finish than with grouting due to the effect of heat (cracking and discolouration of the grout).
- Optimal and quiet flames.

Wall (cut-out) = the fireplace dimensions + 10mm. This gap may not be sealed or grouted.

As the edges of the cut-out remain visible it is important that they are made of the highest possible finish. All four corners of the cut-out must be exactly with an angle of 90 degrees.

Walls

All surfaces inside the wall cut-out are to be covered with **non** combustibile material.

Stone / Brick walls

The cut-out is made according to drawings about brick walls: 44814, 44815, 44816 og 44817.

Important

Make sure to create a closed cavity. Cavity may not be able to create a false air circulation, as it will impact the flow of the fire.

UK - Exploded view showing the installation process.

1. The casing of the fireplace is centered in the wall cut-out. Use suited wall plugs depending on the type of wall.
2. The fireplace is plugged in the power outlet (220V 50-60Hz w/ground) and lowered into the recess.
3. Gently place the glass on the base plate pins.

DK - VARENR.
UK - ITEM NO.

44800

DK - Generelle vejledning

+ Eksploderet visning

UK - General guidelines

+ Exploded view

Dimensions in millimeters Page 6 / 6

decoflame
Decoflame ApS
Vang Mark 2
9380 Vestbjerg
Tlf.: +45 9630 4800
decoflame.com

Copyright of Decoflame ApS Denmark, whose property this document remains. No part thereof may be disclosed, copied, duplicated or in any other way made use of, except with the approval of Decoflame ApS Decoflame Denmark.

BLUETOOTH CODE:

REKV. NO. :

DELIVERY FROM WEEK: