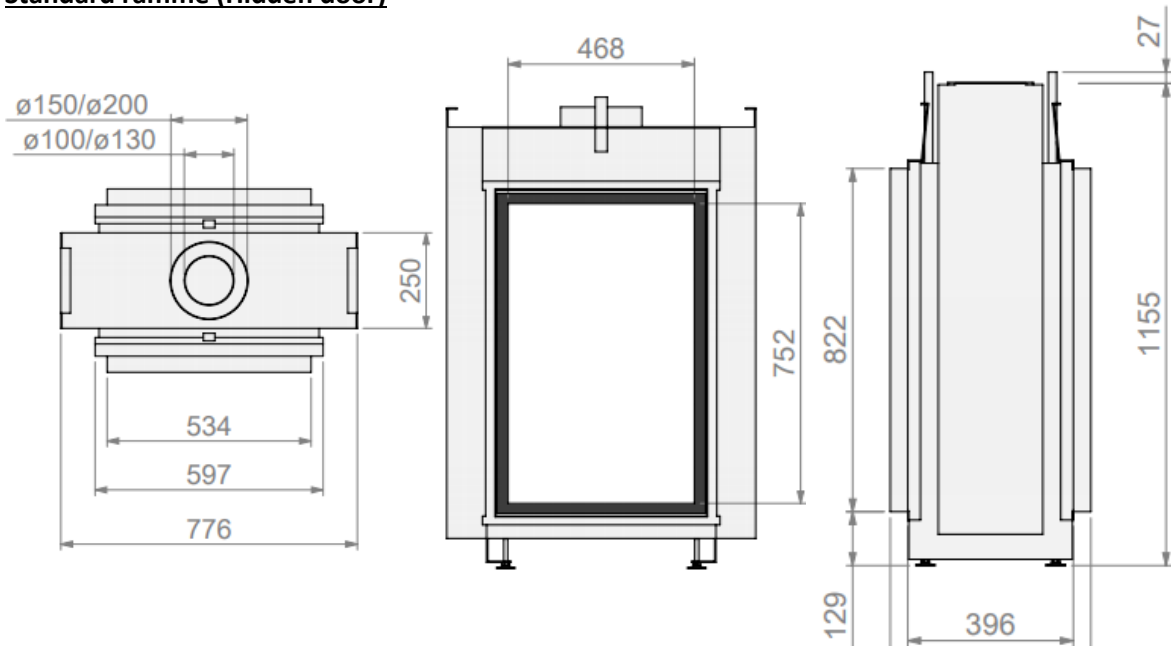


# Vertical Bell Small Tunnel 3

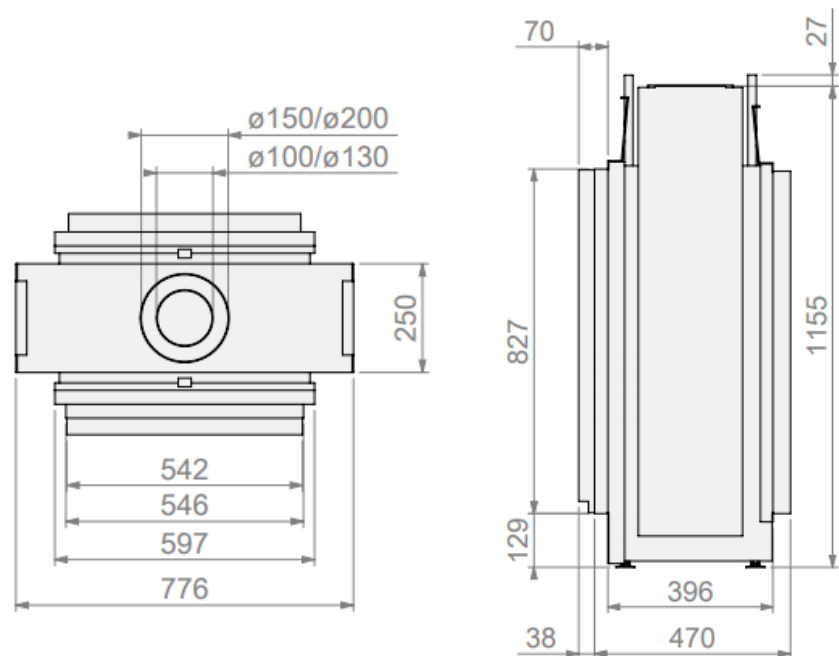


**Standard ramme (Hidden door)**



Effekt (Min-maks).....	1,8 - 6,8 KW
Std. brenner .....	Centre Fire
Vekt .....	106 kg
Energimerking .....	<b>B</b>
Avgass størrelse .....	$\varnothing 150/100 - \varnothing 200/130$ mm
Modell .....	Vertical Bell Small Tunnel 3

**Ramme 7cm (Hidden door + 7cm)**



**Bred ramme (Hidden door + 10cm)**

